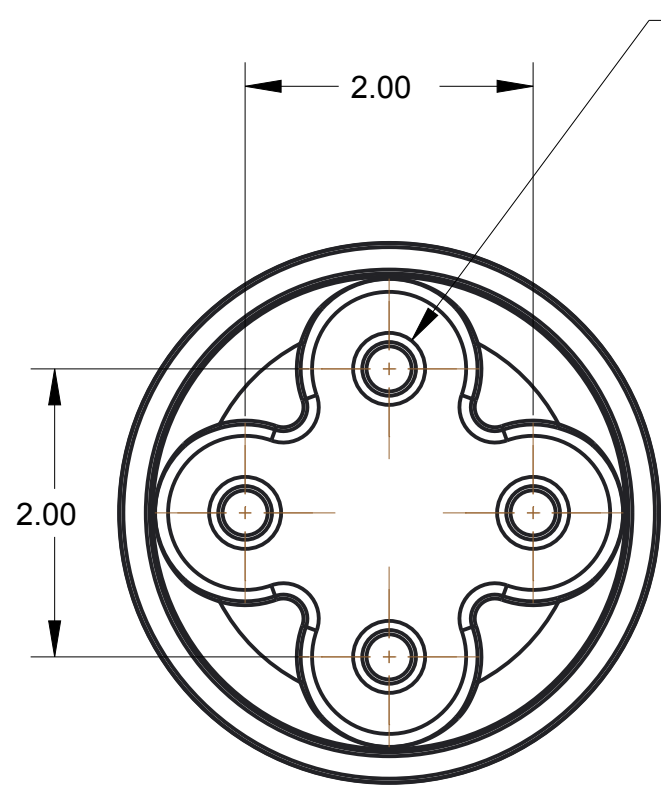
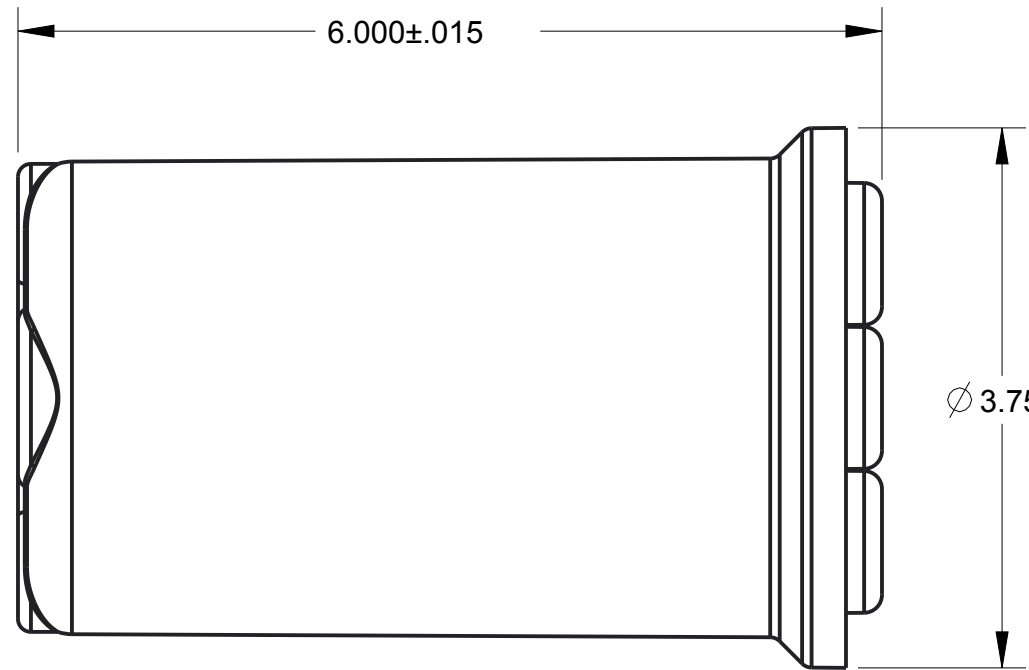




SCALE 0.500

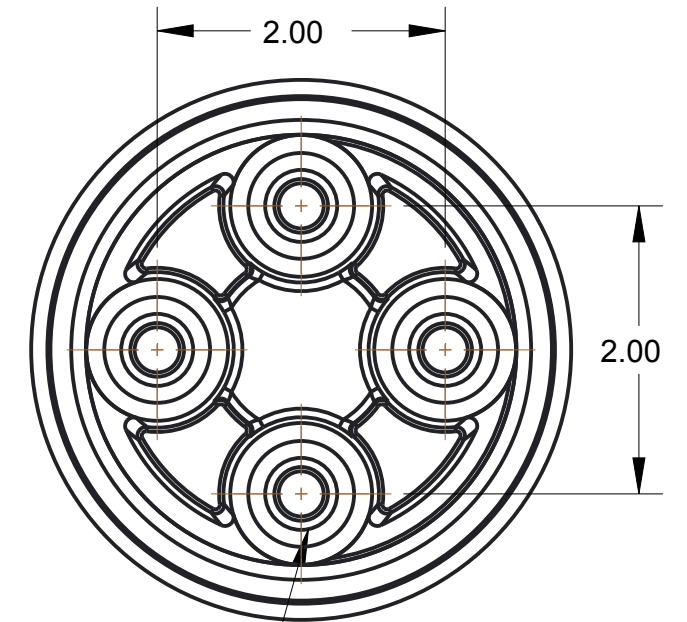


SEE TABLE FOR INSERT SIZES (TOP)



4X4 CONFIGURATION

| REVISION                | REV | BY | DATE       |
|-------------------------|-----|----|------------|
| Updated properties list | 1   | MM | 09/21/2015 |



SEE TABLE FOR INSERT SIZES(BOTTOM)

Physical and Electrical Properties (6600 Series Insulator)  
 Tensile Strength.....>9000 lbs  
 Cantilever Strength..... >2500 lbs  
 Compression Strength.....>52000 lbs  
 Thread Stripping Torque.....30 ft-lbs

Physical and Electrical Properties (SUPERTRACK MB-4000)  
 Arc Resistance (ASTM D495).....185+ sec.  
 Water Absorption (% in 24hrs. @20°C).....0.12  
 UL Subject 94 Flame Resistance.....V-0  
 Inclined Plane Tracking (ASTM D2303).....1000+ min.  
 Dielectric Strength (ASTM D149).....350+ V/Mil  
 Specific Gravity (ASTM D792).....1.7 - 1.9  
 Impact Strength, Notched Izod (ASTM D256).....7-10 Ft-lbs/in

OVER SURFACE SPACING (CREEP DISTANCE) = 7.00"

UL# E08533(Material) E84767 (Standoff Insulator)

**AVAILABLE THREADS**

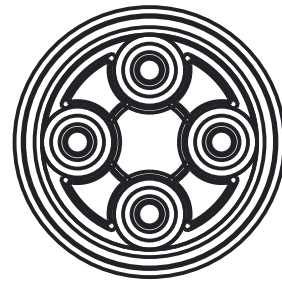
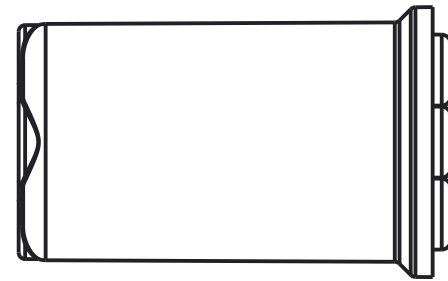
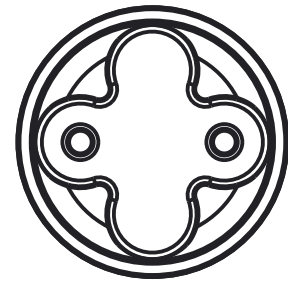
**UNC THREAD STYLES**

| PART NUMBER           | TOP INSERT SIZE                            | BOTTOM INSERT SIZE | MATERIAL |
|-----------------------|--|--------------------|----------|
| 6600-S10/81 4X4       | 3/8-16 X 5/8                               | 3/8-16 X 5/8       | STEEL    |
| 6600-S8/S10 4X1       | 5/8-11 X 3/4                               | 3/8-16 X 5/8       | STEEL    |
| 6600-S6/S10 2X1       | 1/2-13 X 5/8                               | 3/8-16 X 5/8       | STEEL    |
| 6600-S6/S10 4X1       | 1/2-13 X 5/8                               | 3/8-16 X 5/8       | STEEL    |
| 6600-S10 2X2          | 3/8-16 X 5/8                               | 3/8-16 X 5/8       | STEEL    |
| 6600-S6/S10 4X4X1     | (Center) 1/2-13 X 5/8<br>(4X) 3/8-16 X 5/8 | 3/8-16 X 5/8       | STEEL    |
| 6600-S6/S10/S81 4X4X1 | (Center) 1/2-13 X 5/8<br>(4X) 3/8-16 X 5/8 | 3/8-16 X 5/8       | STEEL    |

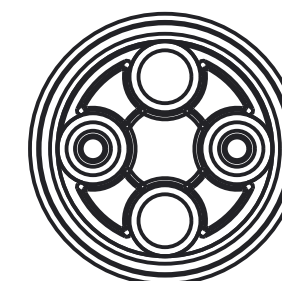
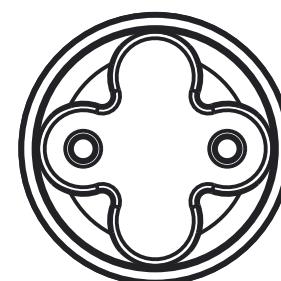
CONFIDENTIAL  
 This print and the specifications are the property of Mar-Bal Inc. and has been issued with the understanding that it will not be reproduced, revealed to or used for manufacture for others, and will be returned upon request.

DATE: 29-Aug-2013

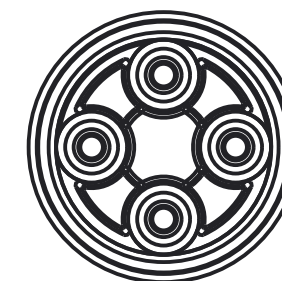
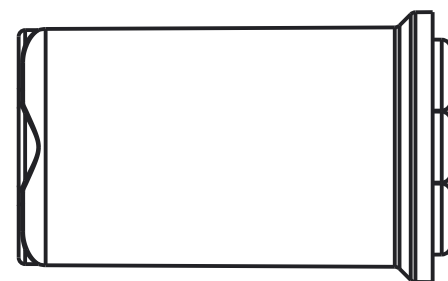
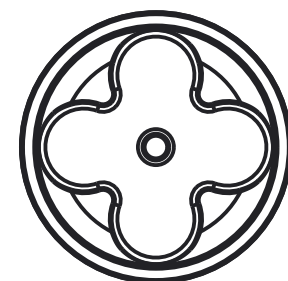
|  |                          |
|--|--------------------------|
| MAR-BAL, Incorporated<br>5400 Reserve Way<br>Dublin, VA 24084<br>www.mar-bal.com |                          |
| TITLE<br><b>6000 SERIES INSULATORS (SUPERTRACK)</b>                              |                          |
| PART NUMBER:   | SUGGESTED INDOOR RATING: |
| <b>6600-XX</b>   | <b>15.0 kV</b>           |
| SHEET 1 OF 2   | SCALE 1.000              |



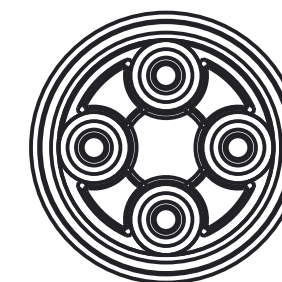
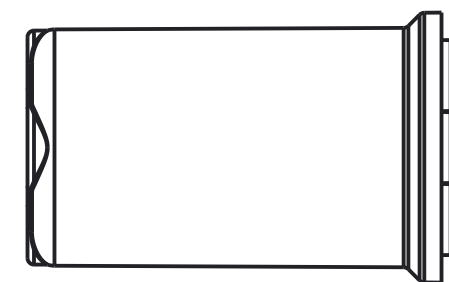
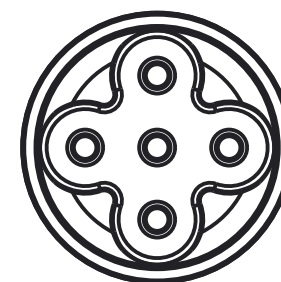
4X2 CONFIGURATION



2X2 CONFIGURATION



4X1 CONFIGURATION



4X4X1 CONFIGURATION

CONFIDENTIAL  
This print and the specifications are the property of Mar-Bal Inc. and has been issued with the understanding that it will not be reproduced, revealed to or used for manufacture for others, and will be returned upon request.

DATE: 29-Aug-2013

MAR-BAL, Incorporated  
5400 Reserve Way  
Dublin, VA 24084  
www.mar-bal.com

TITLE  
6000 SERIES INSULATORS (SUPERTRACK)

PART NUMBER: SUGGESTED INDOOR RATING:

6600-XX

15.0 kV

SHEET 2 OF 2

SCALE 0.375